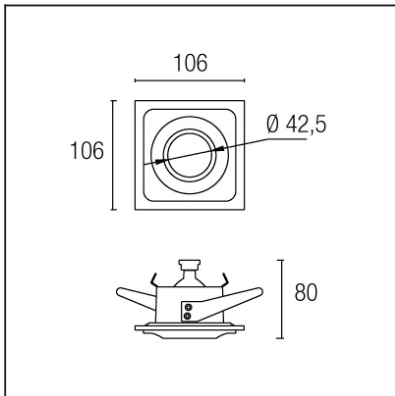


**Design by Nahrang Design**


The photograph may not match the reference exactly. Please read the product description to identify the finish.


**TECHNICAL CHARACTERISTICS**

Type:	Uplight
IP Protection degrees:	IP65
Lampholder:	1 x GU5.3
Power (W):	GU5.3 50W
Voltage / Frequency:	12V/50Hz
Units per box:	18
Net Weight (Kg):	0.29
EAN:	8435111080337


**MATERIALS / FINISHES**
**Structure material:** Aluminium

**Diffuser material:** Glass

**Structure finish:** White

**Diffuser finish:** Satin

**GEAR**

Necessary equipment not included. For more information check website / catalogs / sales organization.