

ENDON®

Gull 1, 3 & 4 Spot Light Fittings INSTRUCTION MANUAL

Safety Warnings

This product is only suitable for connection to a 240V~50Hz supply and is for indoor, non-bathroom, use only.

This fitting is a Class I, Earthed product. The Fitting **must be** connected to Earth.

Switch off the mains supply and remove the appropriate fuse or switch off the appropriate circuit breaker before commencing installation.

If you are in any doubt about your competence please consult a qualified electrician.

This fitting has LED's. We recommend that you do not stare directly into the LED light beams.

Never fit bulbs of a higher wattage or of a type other than those specified on the label as this may cause overheating and damage the fitting.

Clean with a dry cloth only. Do not use liquid or abrasive cleaners on this product, and allow 10 minutes to cool before replacing adjusting or cleaning.

If any modification is made it will invalidate the warranty and may render the product unsafe.

Before you start

Please read these instructions carefully before fitting and retain for reference.

Check the packaging and make sure that you have all the required parts.

Follow each assembly step in order to prevent incorrect assembly.

Ensure that the product is fully assembled as illustrated before use.

Please note that this instruction covers the installation of the 1, 3 and 4 light versions of the Gull light.

The Light pack contains:

Light fitting.

Terminal connection block(s).

Fixing pack.

1, 3 or 4 x G10 LED lamp

The following tools may be required:

Selection of cross and flat head screwdrivers.

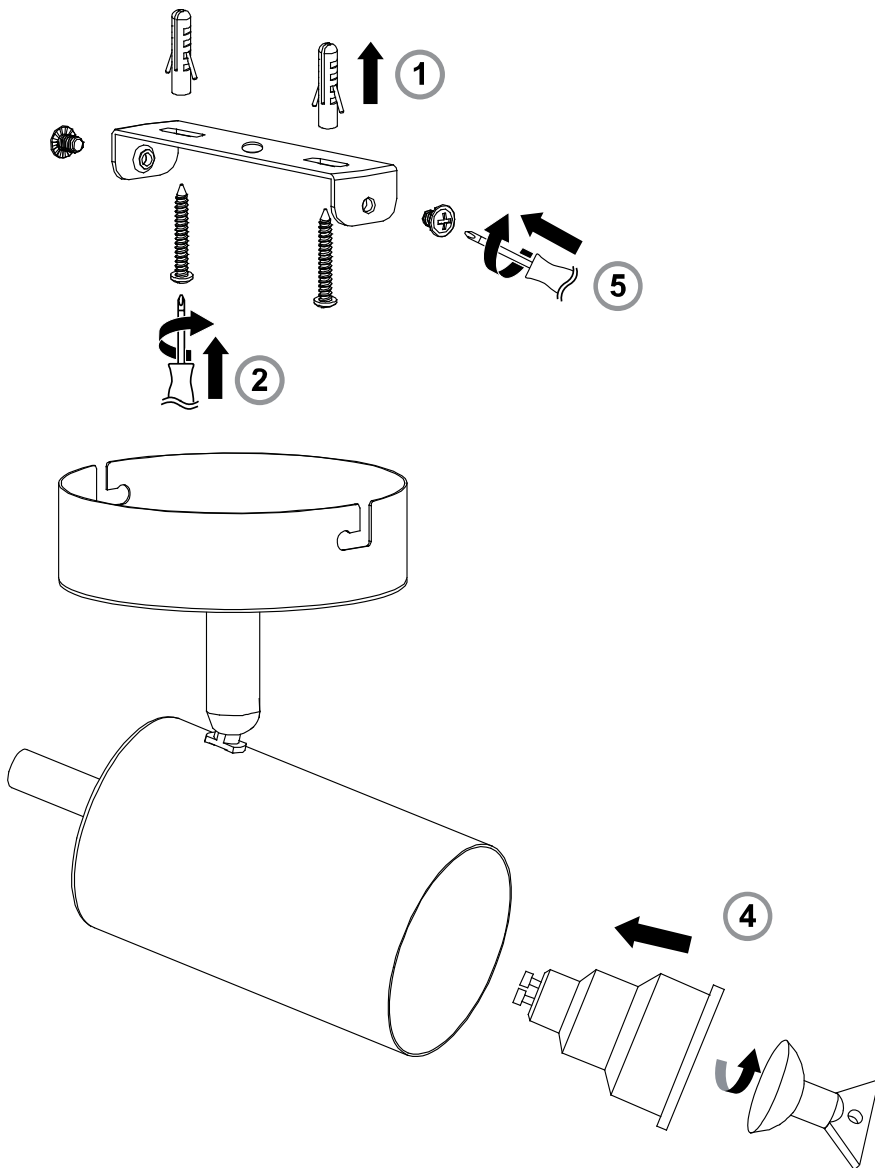
Electric drill and assorted drill bits.

Wire strippers.

Electrical insulation tape.

Assembly/ User Instructions

These assembly diagrams are intended as a guide – if in doubt consult a qualified electrician.



1. Decide on the position of the light fitting / or remove existing light fitting. Take a note of the position of the electrical connections. Ensure there is a solid mounting surface, preferably a wooden joist or joist bridge to support the weight of the light fitting.
2. Remove the two side screws (5) and retain the screws for re-use. Use the fixing bracket as a template to mark the screw holes. Mark the screw holes and secure to the ceiling with appropriate screw fixings (1&2).
3. Support your fitting and connect the house wiring to the terminal block (3).
NOTE: This is a Class I fitting and must be earthed. The 4th terminal block connector is used for the “loop” wires of the “Ring Circuit”. There may be more than one set of cables in the “loop” connections. If there is a “Ring Circuit” and you do not understand the connections you must consult an electrician. Any loose terminal blocks – not secured to ceiling cup - should always be covered with 2 layers of good quality insulation tape.
4. Fit the bulb(s) using the suction tool.
Never fit a bulb of higher wattage than specified.
5. Secure the ceiling cup over the bracket by using the screws (5) removed in point 2.
6. Turn on the power and test.

