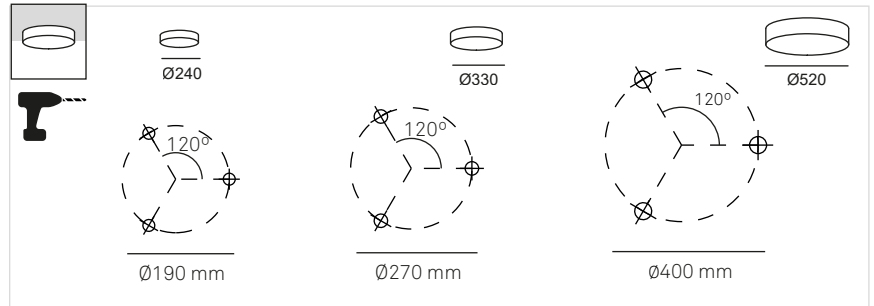
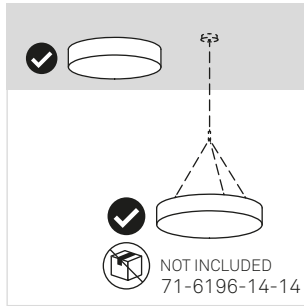
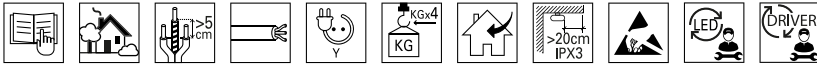


# CAPRICE



**i LightForLife**

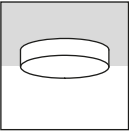
- 2.4 GHz ON
- smartapp.tuya.com/lightforlifsmart
- ON
- 5s
- 
- 

APP

leds-c4.com/sites/default/files/media/files/manual-lightforlife-en.pdf

**i CASAMBI**

- ON
- casambi.com
- ON
- 



1. OFF
2. L N
3. 4000K 3000K 2700K

**i LightForLife**

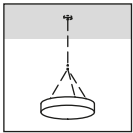
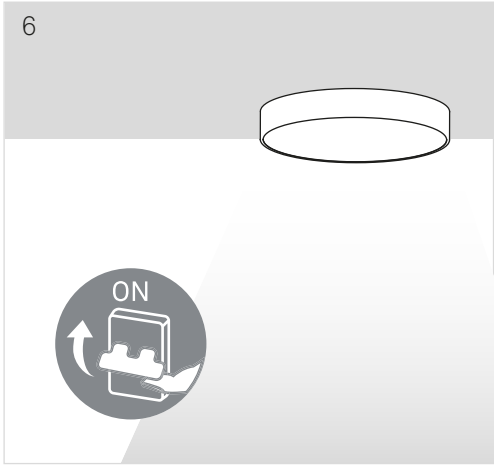
- 2.4 GHz ON
- smartapp.tuya.com/lightforlifsmart
- ON
- 5s
- 
- 

- 4.

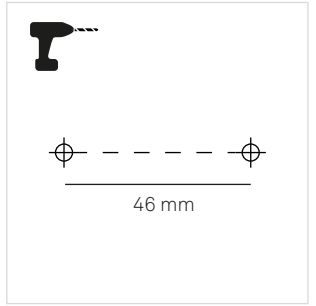
5. ON



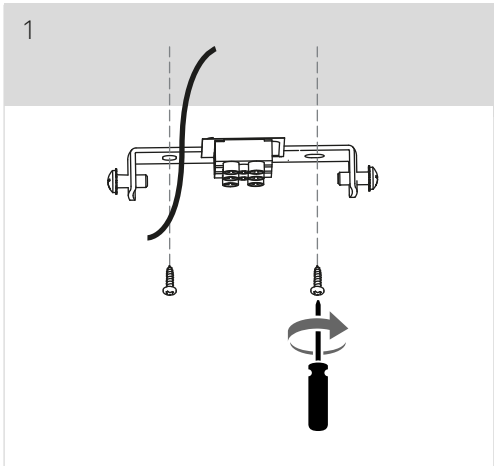
6



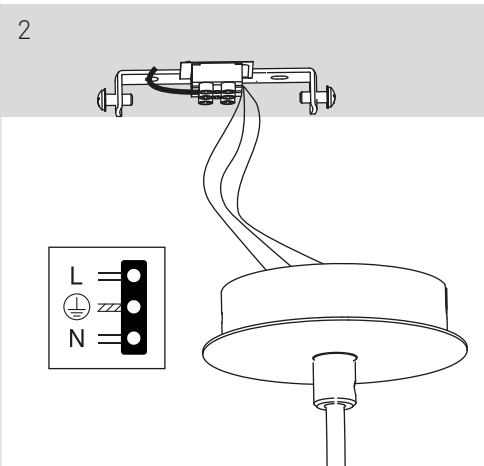
PENDANT KIT NOT INCLUDED



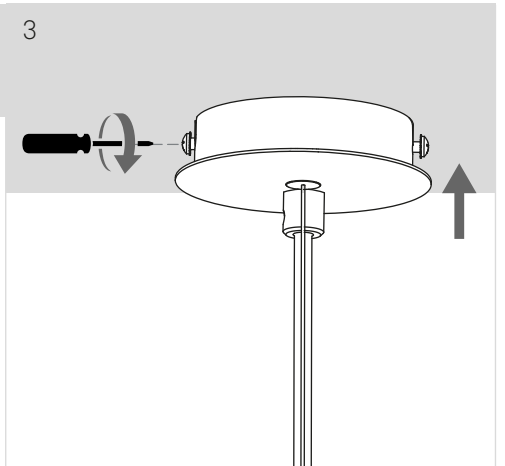
1



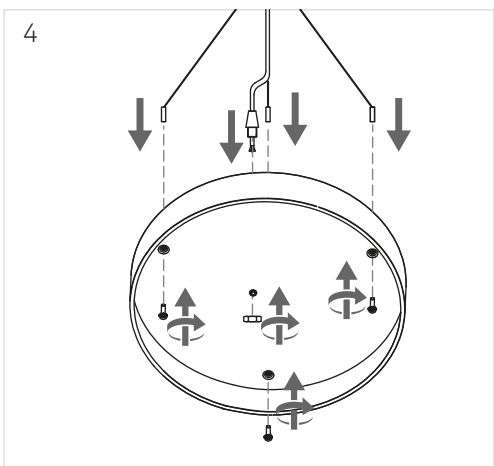
2



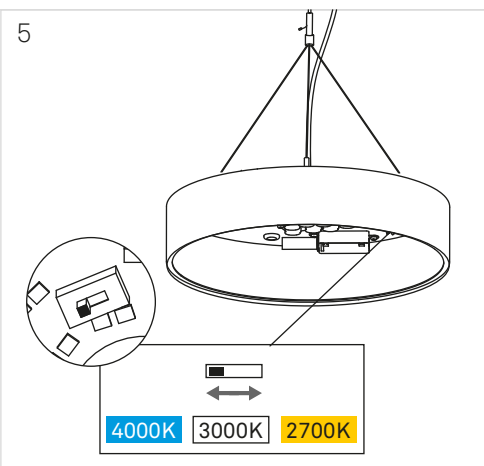
3



4



5



LightForLife

