



Toi LED Medium

Manel Llusçà

Bath IP44 Toi LED Medium LED 15.3 LED warm-white 3000K ON-OFF Chrome 1513lm

Technical features

Luminaire total power: 15.3W

Real lumens: 1513

Real lm/W: 99

Correlated Colour Temperature (CCT): LED warm-white 3000K

Structure material: Aluminium

Structure finish: Chrome

Diffuser material: Polycarbonate

Diffuser finish: Sandblasted

Driver Brand: TCI

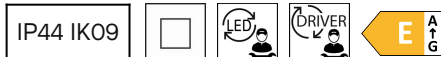
Voltage / frequency: 220-240V/50-60Hz

Dimming protocol: ON-OFF

Power Factor: 0.95

Useful life: 50,000h L80B20

Warranty: 5 años



Luminotechnic features

CRI: 80

MacAdam steps: 3

Photobiological risk: RG1

UGR crosswise: 25.2

UGR lengthwise: 21.8

Lampholder	Quantity	Light source power (W)
LED	1	13.4W

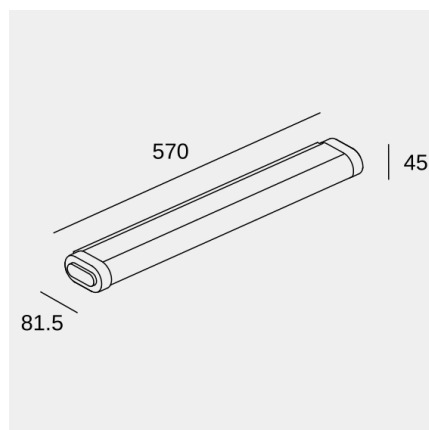


Image may not match reference. LedsC4 reserves the right to amend any of the product's components. The data related to flux, power and colour temperature may be subject to changes made by the manufacturer.



Toi LED Medium

Manel Llusçà

Bath IP44 Toi LED Medium LED 15.3 LED warm-white 3000K ON-OFF Chrome 1513lm

Logistics



x 8

Net weight (kg): 1

Packaged weight (kg): 1.36

Packaging: 140mm x 100mm x 635mm

Image may not match reference. LedsC4 reserves the right to amend any of the product's components. The data related to flux, power and colour temperature may be subject to changes made by the manufacturer.