



Pipe

Wall fixture Pipe GU10 16 Black

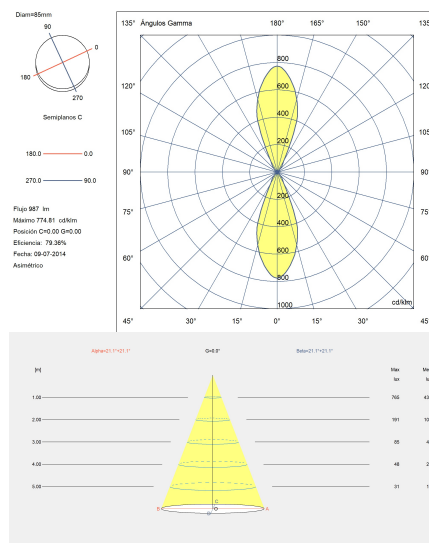
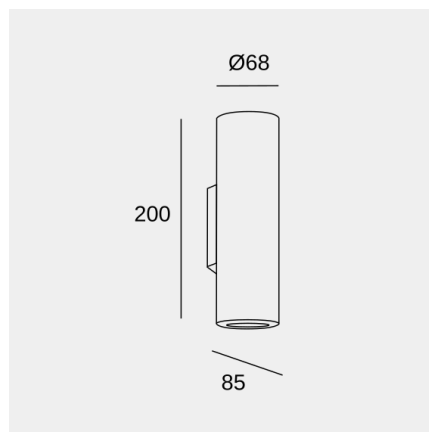
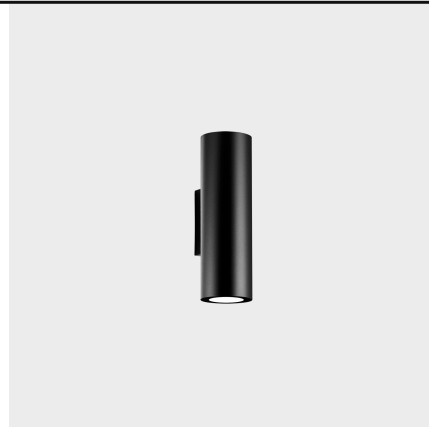
Technical features

- Luminaire total power: 16W
- Lens / reflector angle: FLOOD 42°
- Structure material: Aluminium, Steel
- Structure finish: Black
- Recommended light bulb: GU10
- Voltage / frequency: 100-240V/50-60Hz
- Warranty: 5 años
- Easily recyclable luminaire



Luminotechnic features

Lampholder	Quantity	Light source power (W)
GU10	2	Max. power 8W



Photometric test performed with a standard bulb

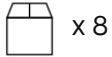
Image may not match reference. LedsC4 reserves the right to amend any of the product's components. The data related to flux, power and colour temperature may be subject to changes made by the manufacturer.



Pipe

Wall fixture Pipe GU10 16 Black

Logistics



x 8

Net weight (kg): 0.55

Packaged weight (kg): 0.69

Packaging: 125mm x 80mm x 235mm

Image may not match reference. LedsC4 reserves the right to amend any of the product's components. The data related to flux, power and colour temperature may be subject to changes made by the manufacturer.